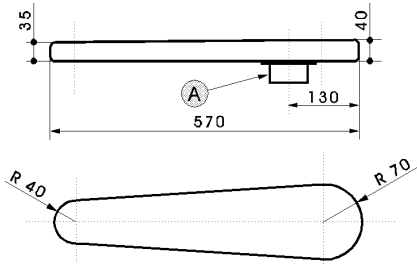
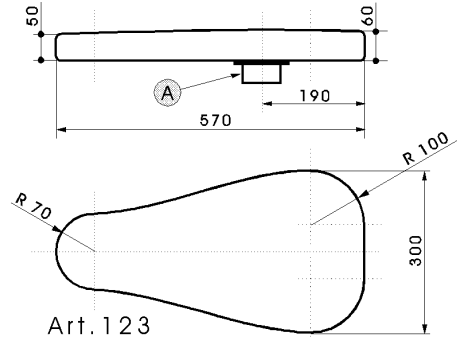


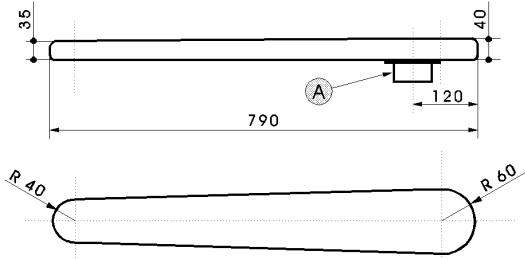
INTERCHANGEABLE IRONING SHAPE SIZES



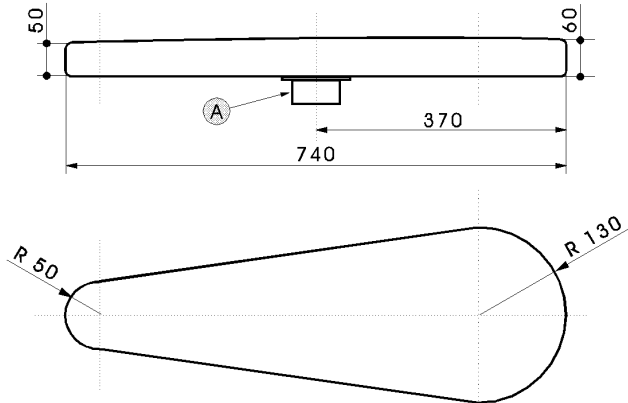
Art.122
Stiramaniche
Sleeve-board
Jeannette
Ärmelbrett
Plancha mangas



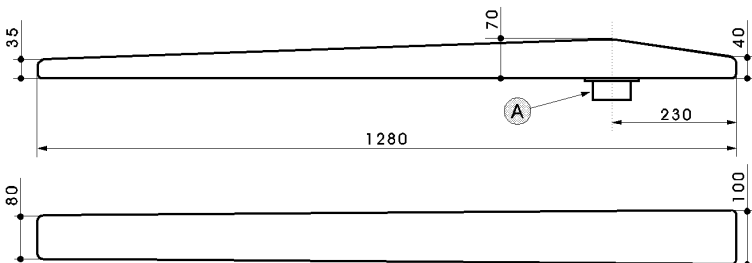
Art.123
Cuscino
Cushion
Coussin
Polster
Cojín



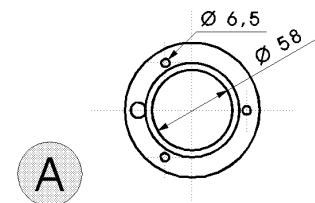
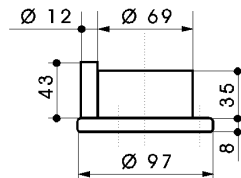
Art.121
Stiramaniche lungo
Long sleeve-board
Jeannette longue
Langes Ärmelbrett
Plancha mangas larga



Art.124
Cuscino lungo
Long cushion
Coussin long
Langes Polster
Cojín largo



Art.120
Apricuciture stirapantaloni
Seam-opener for trousers
Ouvre-coutures pour pantalons
Nähteöffnertisch für Hosen
Abre-costuras para pantalones



Rel. 09.93